

MC9190-G

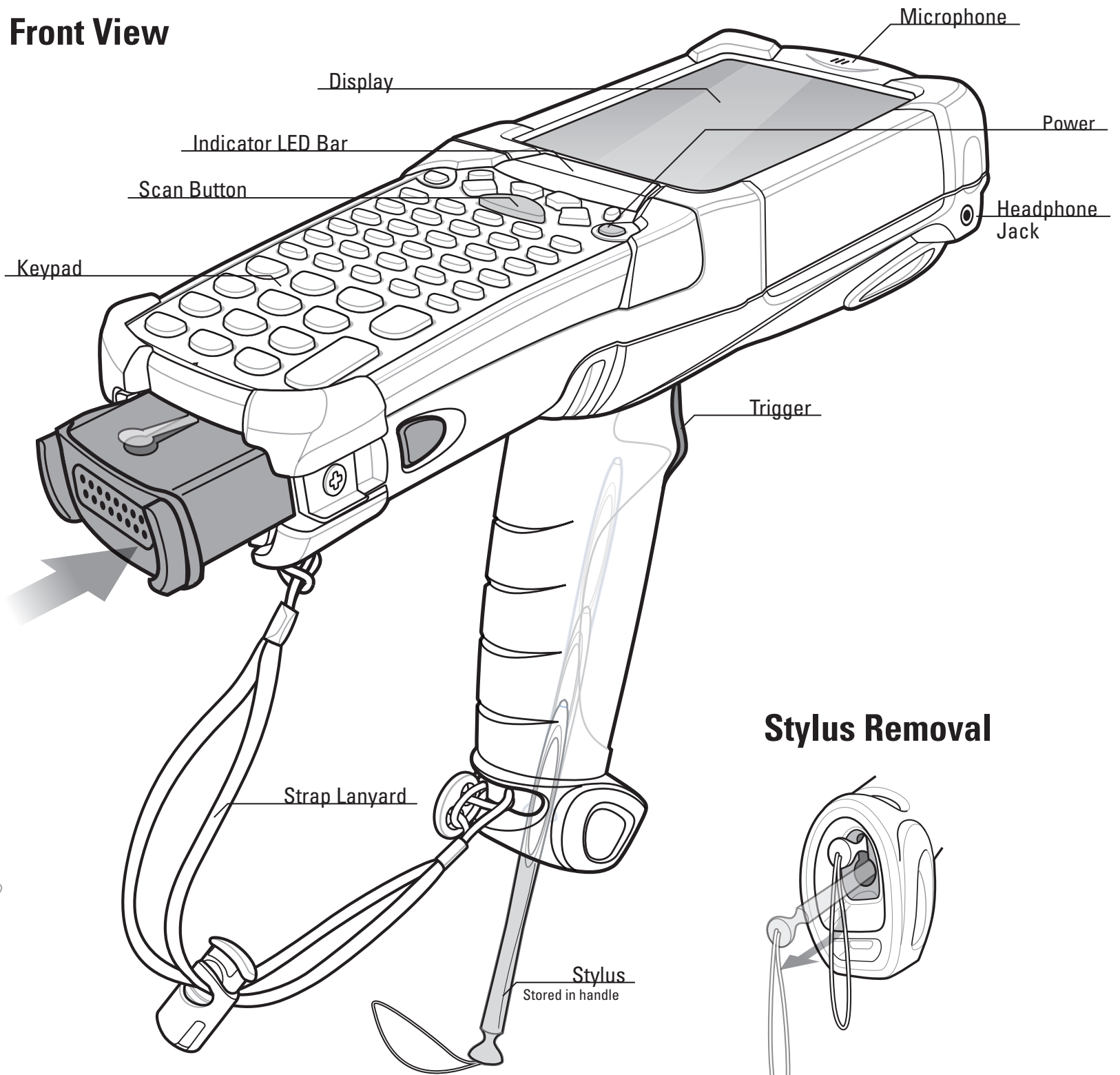
Quick Start Guide



BATTERY INSERTION

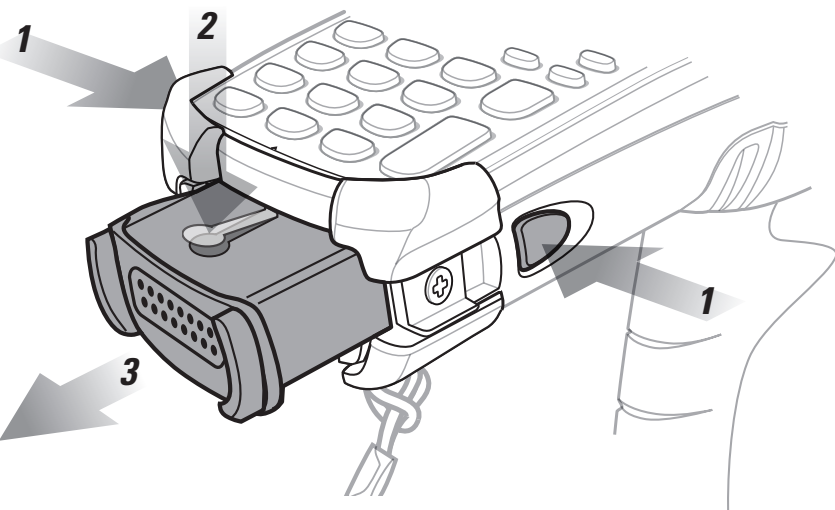
<http://www.motorola.com/mc9190g> See User Guide for more information

Front View

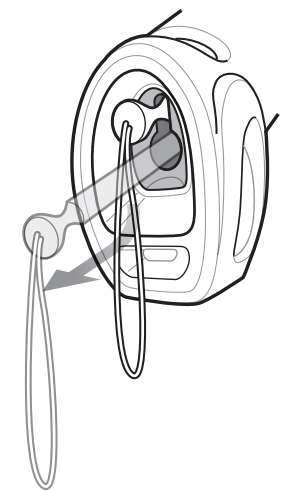


POST IN WORK AREA

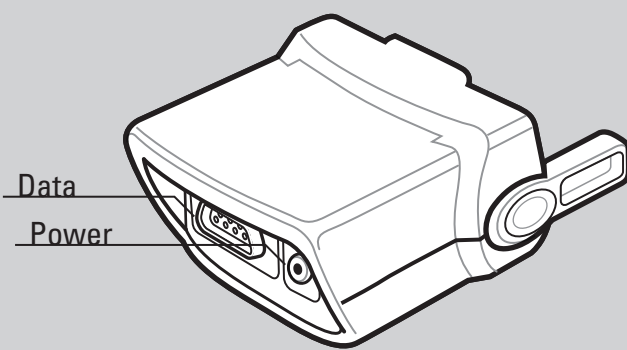
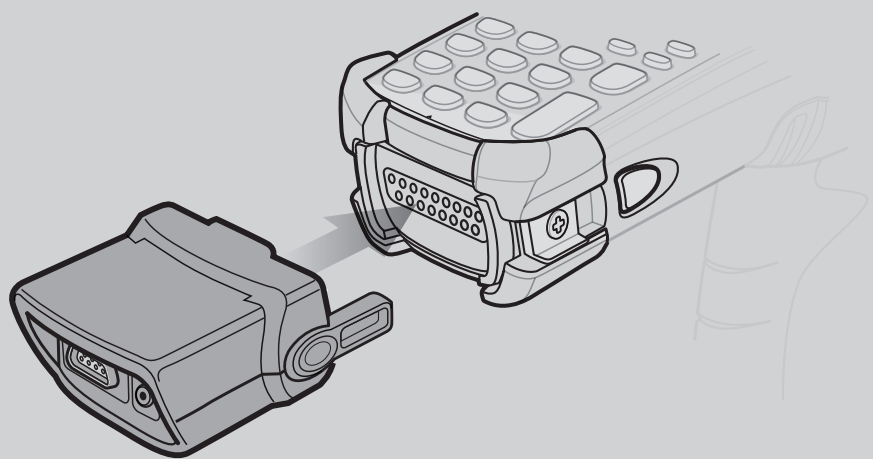
Battery Removal



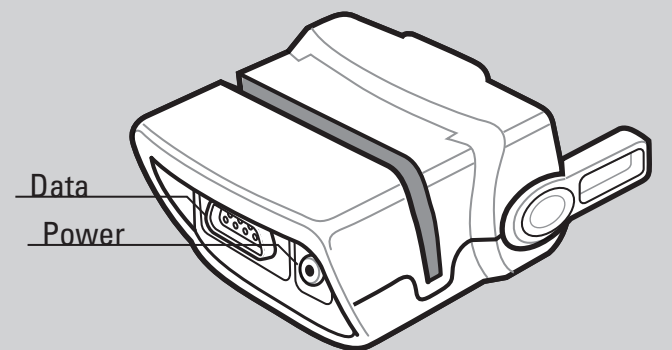
Stylus Removal



SNAP-ON ACCESSORY INSTALLATION



Cable Adapter Module

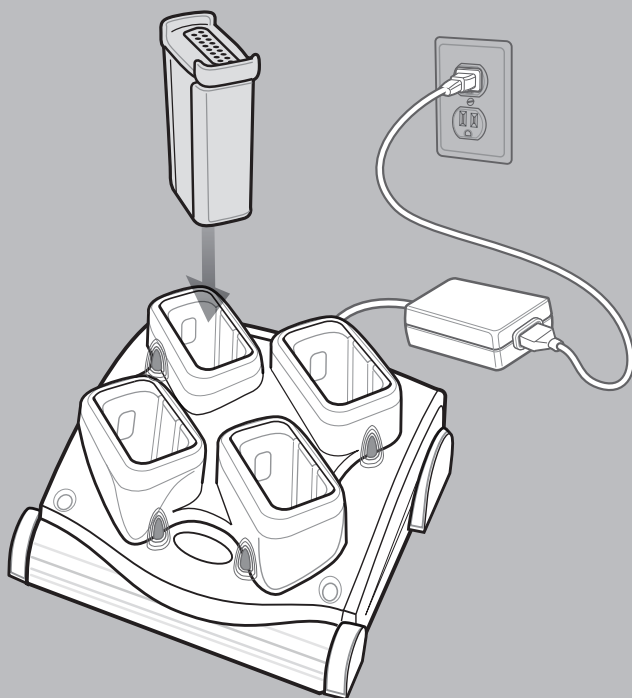


Data
Power

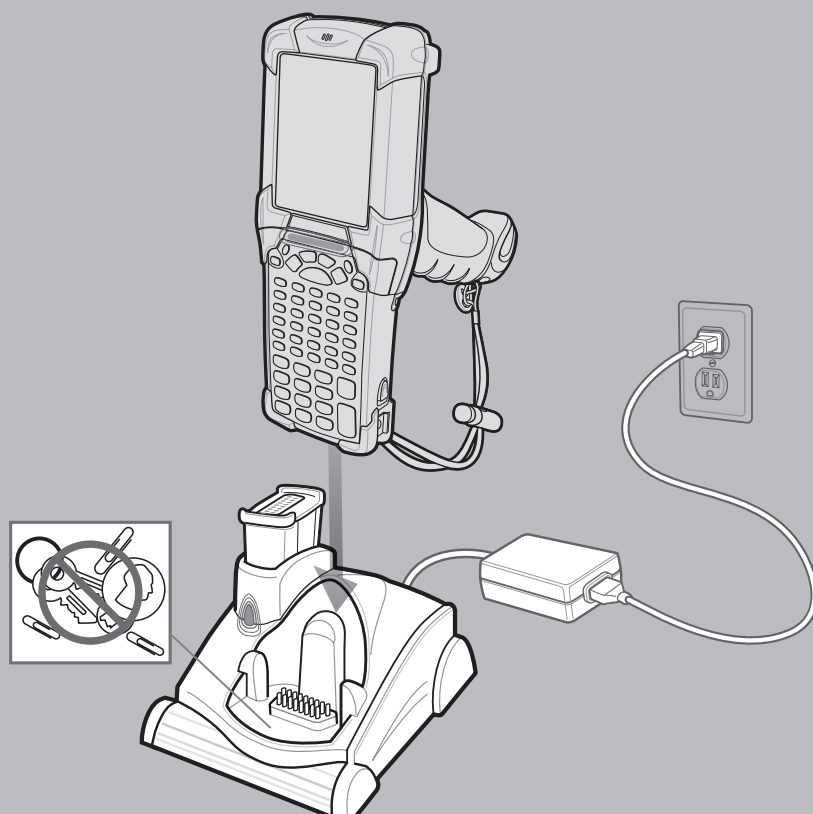
Magnetic Stripe Reader

CHARGING INSTRUCTIONS

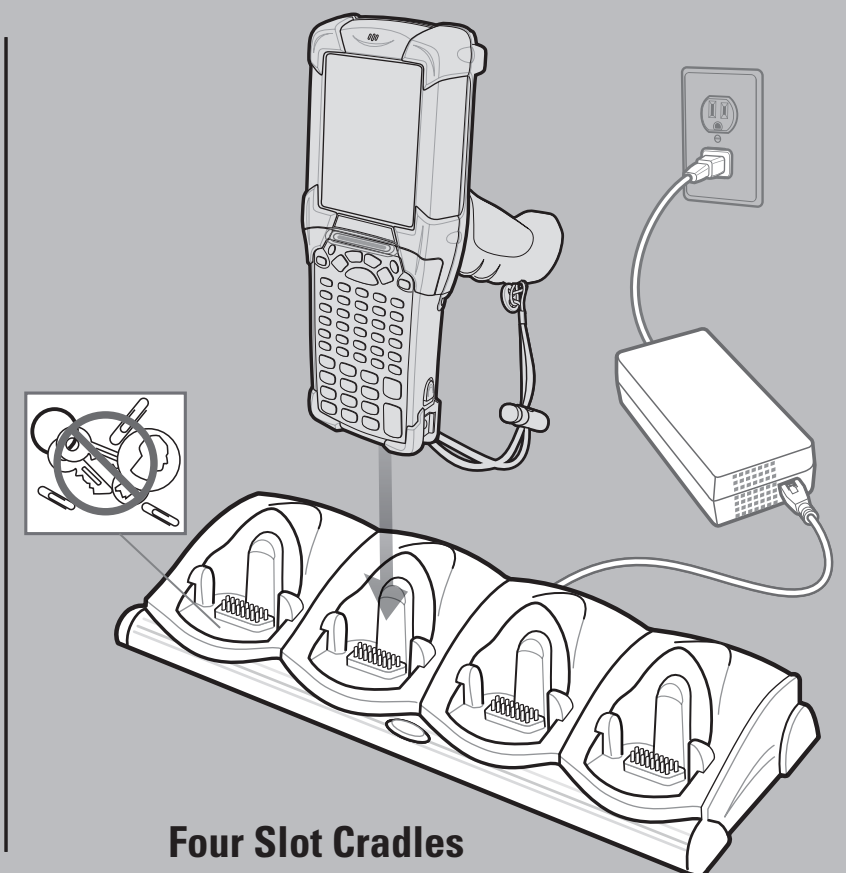
⦿ = LED Indicator Location Slow Flash = Normal Charge Solid Amber = Full Charge Fast Flash = Charging Error



Four Slot Spare Battery Charger



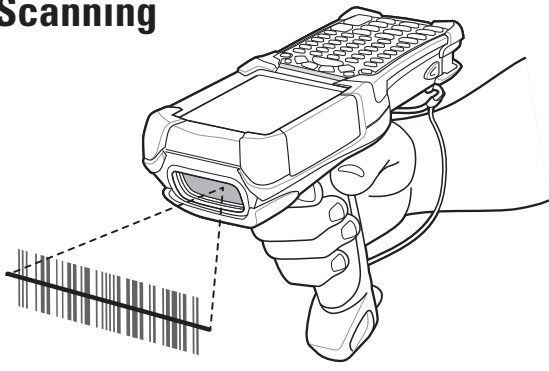
Single Slot Serial/USB Cradle



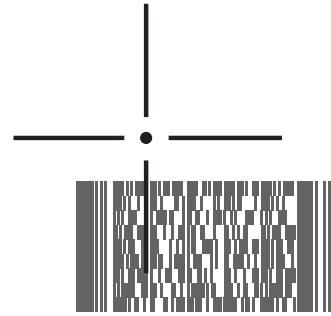
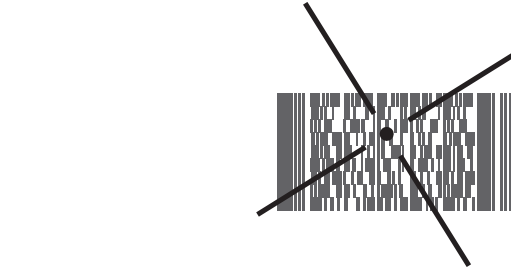
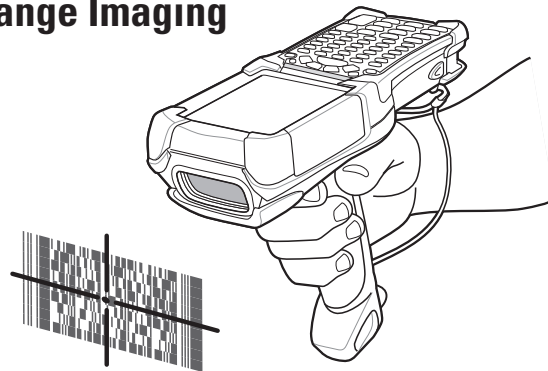
Four Slot Cradles
Charge-Only Cradle and Ethernet Cradle

OPTIMUM IMAGING AND SCANNING POSITIONS

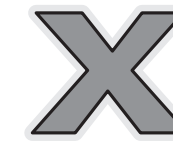
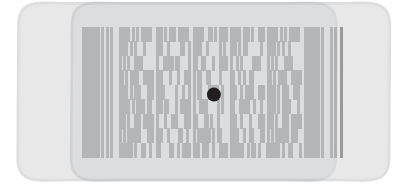
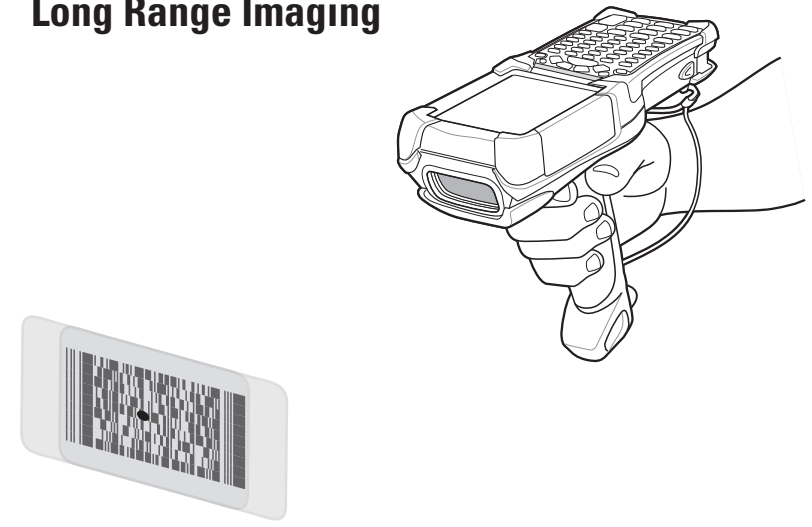
Laser Scanning



Standard Range Imaging



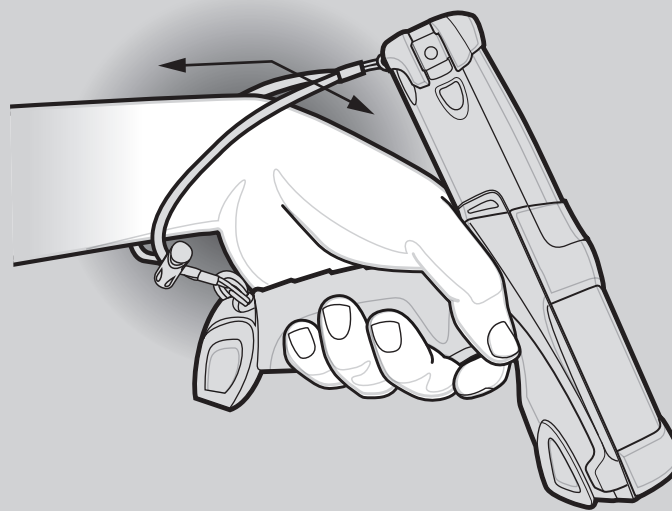
Long Range Imaging



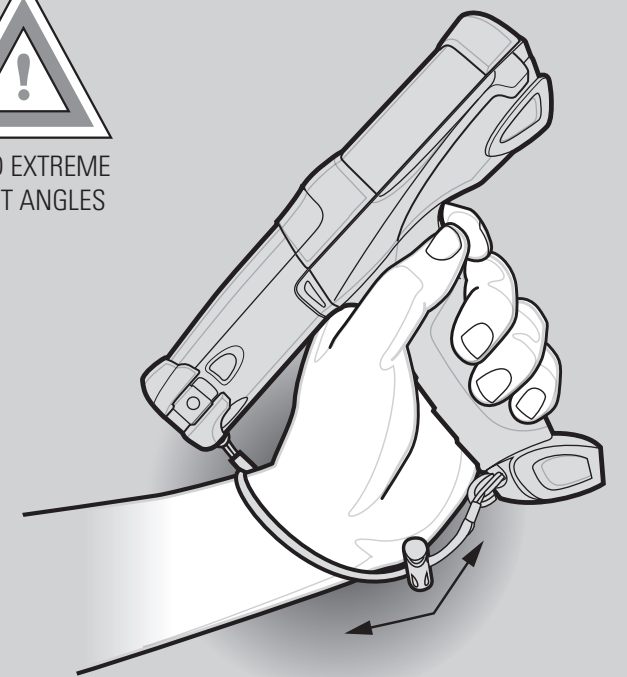
OPTIMUM UPRIGHT BODY POSTURE



AVOID EXTREME WRIST ANGLES



AVOID EXTREME WRIST ANGLES



ALTERNATE LEFT AND RIGHT HANDS
TAKING BREAKS AND TASK ROTATION RECOMMENDED

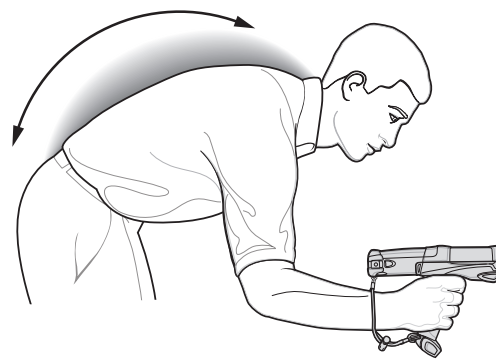
OPTIMUM BODY POSTURE

Low Scanning

Alternate left and right knees



AVOID BENDING



Alternate left and right hands



AVOID REACHING



High Scanning

Use a ladder



Taking breaks and task rotation recommended

POST IN WORK AREA



MOTOROLA

One Motorola Plaza Holtsville, New York 11742-1300, USA
MOTOROLA and the Stylized M Logo and Symbol and the Symbol logo are registered in the U.S. Patent and Trademark Office. All other product or service names are the property of their respective owners.
© Motorola, Inc. 2010



72-139206-01 Rev. A - July 2010

<http://www.motorola.com/mc9190g>

MC9190-G

Recommended Usage Guide