



# [ Products ] you can identify with



## Sense Lite V2 BLE

Sense Lite V2 BLE is a customizable Bluetooth Low Energy device designed for asset/personnel tracking. It benefits from a user replaceable battery which allows the product to be serviced in the field and extends the product life. The Sense Lite V2 BLE comes in a number of different attachment options including adhesive, rivets and cable ties for asset tracking or via lanyard if used as a personnel tracker. This product is also available with Ex certification for use in explosive environments.



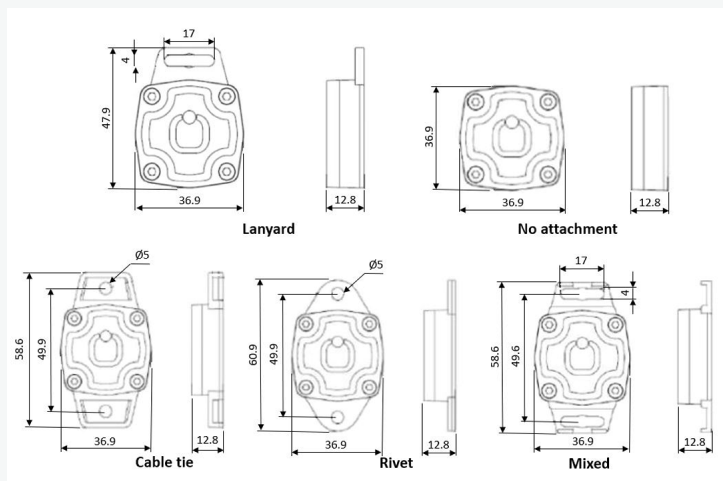
### Physical Specifications

<b>Material</b>	2 Part Polycarbonate Case
<b>Size</b>	No attachment 36.9 x 36.9 x 12.8mm Lanyard 36.9 x 47.9 x 12.8mm Cable tie 36.9 x 62.9 x 12.8mm Rivet 36.9 x 60.9 x 12.8mm 3 in 1 36.9 x 58.6 x 12.8 mm, No attachment 1.45 x 1.45 x 0.50in Lanyard 1.45 x 1.89 x 0.50in Cable tie 1.45 x 2.48 x 0.50in Rivet 1.45 x 2.40 x 0.50in 3 in 1 1.45 x 2.30 x 0.50 in
<b>Weight (g)</b>	No attachment: TBD, Lanyard 18.9, Cable tie 19.1, Rivet 19.2, 3 in 1 20.6
<b>Attachment</b>	5 versions available - No attachment, lanyard, cable tie, rivet, 3 in 1

### Specifications

<b>Radio Protocol</b>	Bluetooth
<b>Supported Profiles</b>	iBeacon, Eddystone UID, Eddystone URL, Eddystone TLM, Omni-ID Custom Beacon
<b>Battery Type</b>	CR2032
<b>Battery Capacity</b>	225mAh
<b>Battery Life</b>	1.4 Years, 1Hr activity/day, 0.2 Hz Beacon rate, 0.4dBm Tx power, Acc' 5 Hz sample rate
<b>Default Beacon Rate</b>	30ms - 18hrs
<b>Sensors</b>	Accelerometer, Push button
<b>Visual Indicator</b>	Red LED

### Dimensions



Measurements shown in mm



# [ Products ] you can identify with



The Sense Asset Lite device is ideal for applications requiring medium range tracking such as:

- Hospitals
- Manufacturing facilities
- Warehouse management
- Container management
- Facilities management
- Ports construction and mining
- Asset management

## Configurable Parameters

**Beaconing profile**

**Transmit power**

**Beacon rate**

**Activity time**

**Event source (button press, accelerometer, movement, tap double, tap freefall, flip short button press)**

## Certifications

CE, FCC, RoHS, Bluetooth, Ex



## Related System Components

**BLE Technology Evaluation Kit**

Including BLE devices, software and user guide

## Environmental Specifications

**Operating Temperature** -20°C to +60°C

**IP Rating** IP68

**Impact** 1.5kg from 1m. 500 drops 1.2m to concrete

## Ordering Information

**Warranty** 1 year

**Product Options** Available with lanyard attachment, cable tie attachment, rivet attachment, mixed attachment and no attachment options. Ex certified version of this product is available as an option.

**Part Number / Order Codes / Order Numbers**

CP17692 - No attachment, CP17288 - No attachment EX

CP17705 - Lanyard, CP17287 - Lanyard Ex

CP17691 - Cable Tie attachment, CP17289 - Cable Tie attachment Ex

CP17690 - Rivet attachment, CP17290 - Rivet attachment Ex

CP17693 - 3 in 1 attachment, CP17291 - 3 in 1 attachment Ex