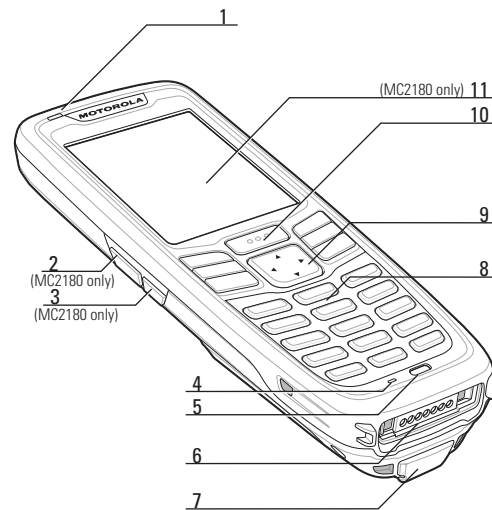


MC2100 SERIES QUICK START GUIDE



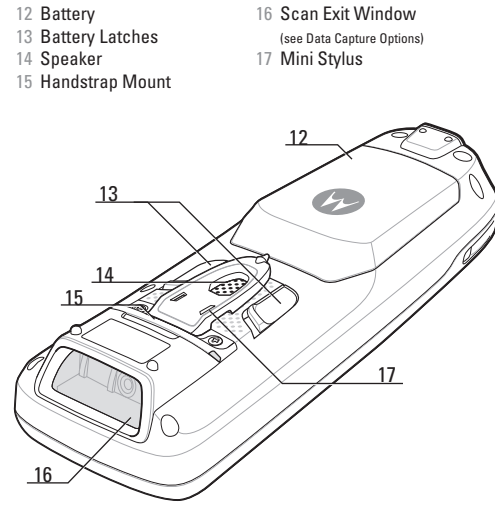
FEATURES



- | | |
|--|--|
| 1 LED Indicator | 7 Power Input Port |
| 2 Volume Up Button
(default) - Programmable | 8 Keypad |
| 3 Volume Down Button
(default) - Programmable | 9 Navigation |
| 4 Microphone | 10 Scan Button |
| 5 Power Button | 11 Touch Screen
(with screen protector) |
| 6 I/O Connector | |

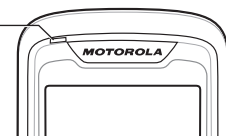
Note:

- To warm boot the MC21XX, press and hold the Power button for five (5) seconds.
- To cold boot the MC21XX:
 - Press Power button to suspend the MC21XX. The **PowerKey Action** window appears.
 - Tap **Safe Battery Swap**.
 - Wait for the LED to turn red and then turn off.
 - Simultaneously press the **1, 9** and Power button.



LED Notifications

LED



Charging Status:

- Solid green: Fully charged
- Blinking amber: charging
- Fast blinking amber: Charging error

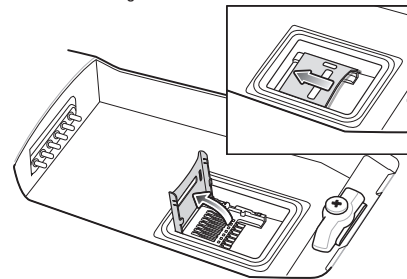
Data Capture Status:

- Red: Scanning active
- Green: Good decode

GETTING STARTED

1 Install a microSD Card

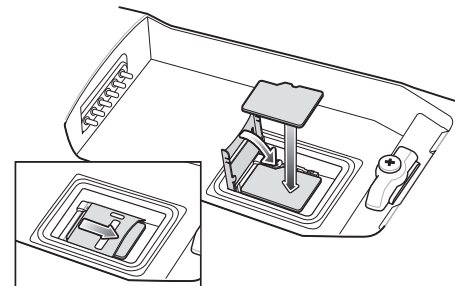
- Slide the card door down to unlock.
- Lift card door.
- Place the microSD card into the holder with the contacts facing down.



NOTE:

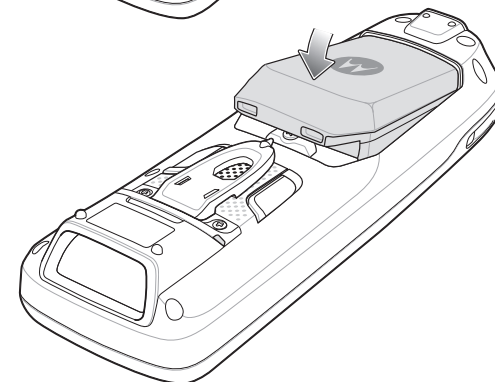
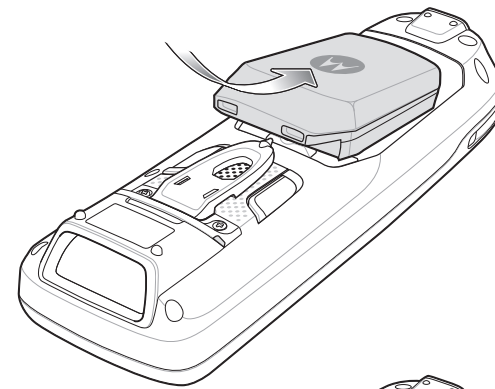
The proper position of the microSD card — the card connector (i.e., gold area) should be facing down.

- Lower the card door.
- Slide card door up to lock into place.



To replace the microSD card, refer to the MC2100 Series User Guide for instructions.

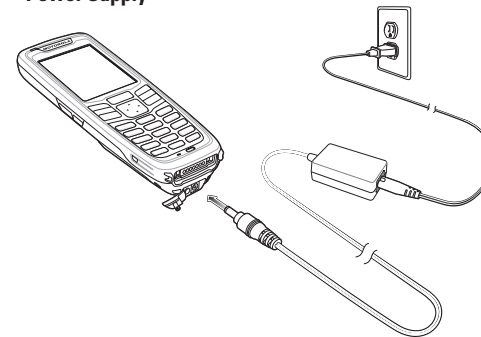
2 Insert the Battery



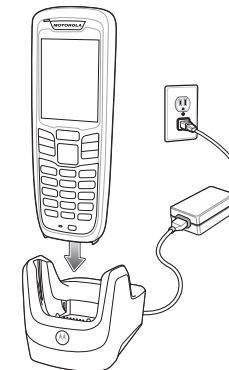
3 Charge the MC21XX



Power Supply

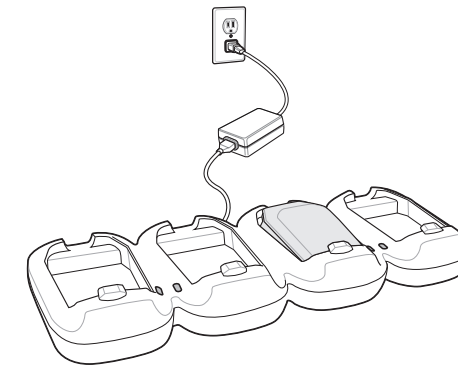


Single-slot USB Charging Cradle



4 Charge the Battery

Four-slot Battery Charger



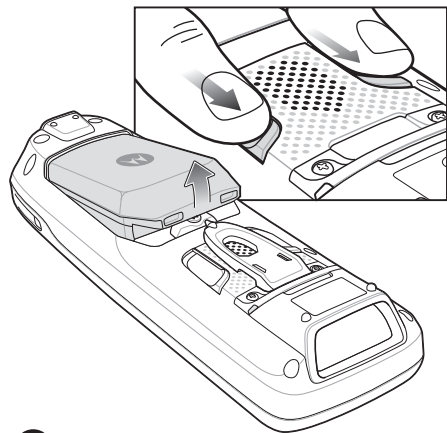
Charging Status:

- Solid green: Fully charged
- Blinking amber: charging
- Fast blinking amber: Charging error

* It is recommended that this product be charged for 24 hours before the first use to ensure that the internal battery is fully charged.

BATTERY REMOVAL

1. Press Power button to suspend the MC21XX. The **PowerKey Action** window appears.
2. Tap **Safe Battery Swap**.
3. Wait for the LED to turn red and then turn off.
4. Using thumbs, push the two battery release latches up. The battery ejects slightly from the device.
5. Remove the battery.

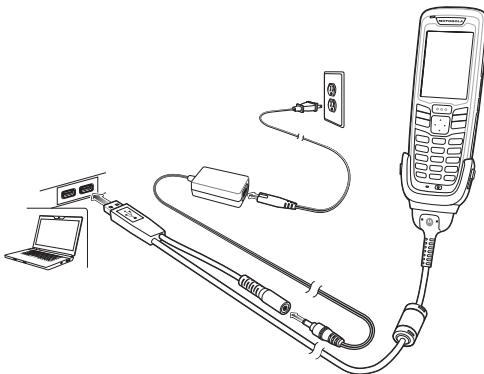


COMMUNICATION

1 Install ActiveSync®

Download ActiveSync® 4.5 or higher from <http://www.microsoft.com> and follow the instructions to install ActiveSync onto the host computer.

2 Communicate with Host



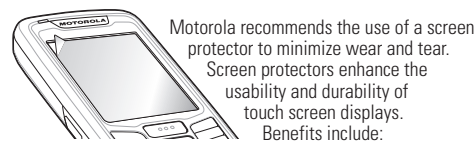
3 Create a Partnership

Follow the on-screen ActiveSync instructions to establish a connection between the MC21XX and the host computer.

For more information visit:
<http://www.motorolasolutions.com/mc2100>

ACCESSORIES

Screen Protector



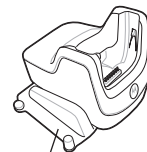
Motorola recommends the use of a screen protector to minimize wear and tear. Screen protectors enhance the usability and durability of touch screen displays. Benefits include:

- Protection from scratches and gouges
- Durable writing and touch surface with tactile feel
- Abrasion and chemical resistance
- Glare reduction
- Keeping the device's screen looking like new
- Quick and easy installation.

Not using a screen protector can affect your warranty coverage.

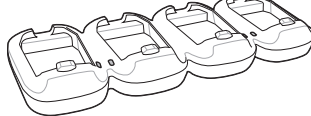
An initial screen protector is already applied to the MC21XX. Contact your local account manager or Motorola Solutions, Inc. for more information and purchasing details.

Single-slot USB/Charge Cradle

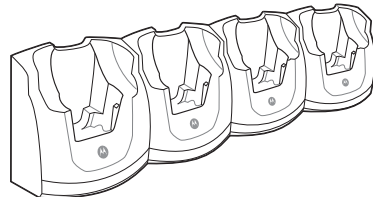


Mating Adapter

Four-slot Battery Charger



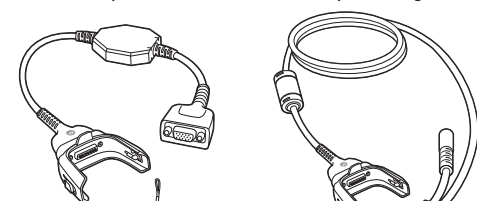
Four-slot Charge Only Cradle Four-slot Ethernet Cradle



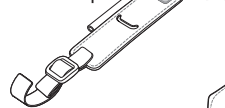
Holster



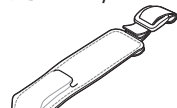
Modem Adapter Cable USB ActiveSync/Charge Cable



Handstrap

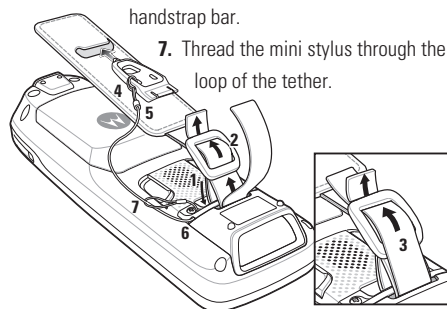


Lanyard

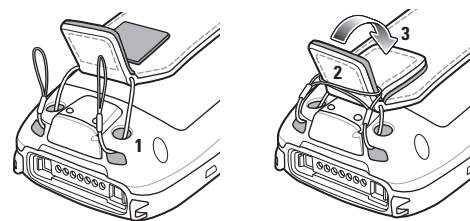


Lanyard Installation

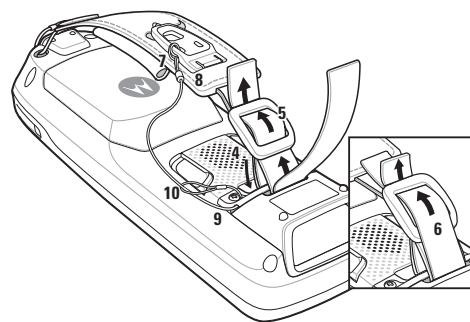
1. Feed the ends of both belts through the handstrap bar.
2. Feed the end of the thick belt through the buckle.
3. Feed the end of the thin belt through the buckle.
4. Feed one loop of the tether into the mini stylus slot.
5. Thread the other end of the tether through the loop.
6. Feed the end of the tether through the hole in the handstrap bar.
7. Thread the mini stylus through the loop of the tether.



HANDSTRAP INSTALLATION

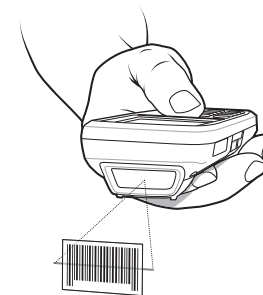


1. Feed both loops through the two mounting holes.
2. Slide the loops over the strap tab.
3. Press the tab down to secure.
4. Feed the ends of both belts through the handstrap bar.
5. Feed the end of the thick belt through the buckle.
6. Feed the end of the thin belt through the buckle.
7. Feed one loop of the tether into the mini stylus slot.
8. Thread the other end of the tether through the loop.
9. Feed the end of the tether through the hole in the handstrap bar.
10. Thread the mini stylus through the loop of the tether.



DATA CAPTURE OPTIONS

Scanning/Imaging



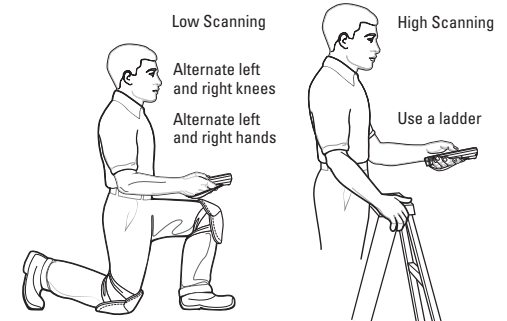
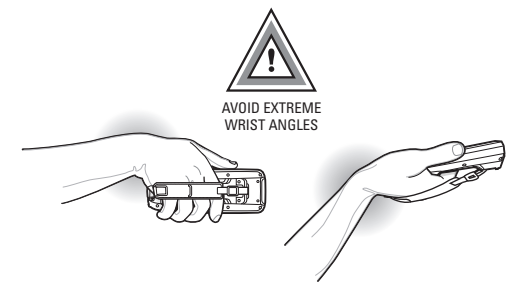
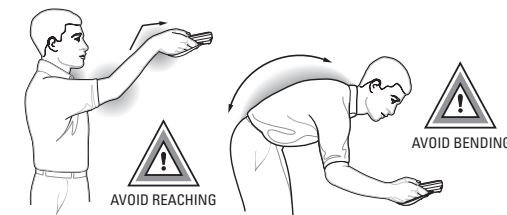
Laser/Linear Scanning



Imaging



ERGONOMIC CONSIDERATIONS



Taking breaks and task rotation recommended



Motorola Solutions, Inc.
1301 E. Algonquin Rd. Schaumburg, IL 60196-1078, U.S.A.
MOTOROLA, MOTO, MOTOROLA SOLUTIONS and the Stylized M Logo are trademarks or registered trademarks of Motorola Trademark Holdings, LLC and are used under license. All other trademarks are the property of their respective owners.
© 2011 Motorola Solutions, Inc. All Rights Reserved.



72-155017-01 Rev. A — November 2011