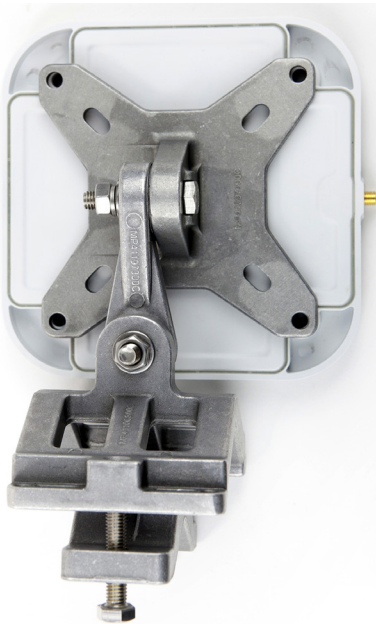


R9025-LPF-SSF *Circularly Polarized RFID Antenna*



The **R9025-LPF-SSF** is a circularly polarized indoor/outdoor RFID antenna that is meticulously engineered to operate within the 902-928 MHz frequency range. Designed with a compact and robust form factor, this antenna exemplifies versatility and durability. Its remarkably compact footprint, measuring just 150.7mm / 5.93" square, allows for seamless integration into various environments.

- UHF RFID: 902-928 MHz
- 5 dBic Gain
- 105 Degree Beamwidth
- Compact Radome; 5.93" square
- Fixed SMA Female Connector
- 100x100mm VESA Mounting pattern
- Rugged IP68 Housing



Designed to be used with all major readers, but specially tested with Zebra FX9600, FX7500, FXR90 & Impinj R720, R420, R700, R220, this antenna can be used seamlessly regardless of existing hardware.

The R9025-LPF-SSF stands out with its sleek, low-profile design, making it an ideal candidate for both indoor and outdoor applications. Whether mounted in a warehouse, retail space, or exposed to the elements in an outdoor setting, this antenna delivers consistent performance. Compared to most antennas of similar size on the market, the R9025 offers a significantly enhanced radiation pattern, with an impressive 4 meter read range (typ.). The R9025 is setting a new standard for multi-purpose UHF RFID antennas.

ELECTRICAL DATA

Frequency (MHz)	902-928 MHz
Polarization	RHCP (Right Hand Circularly Polarized)
Far-Field Gain	5 dBiC (typ)
Far-Field 3 dB Beamwidth	105° in both planes (typ)
VSWR	1.4:1 (typ)
Front-To-Back Ratio	-10 dB (typ)
Axial Ratio	2 dB (typ)
Impedance	50 Ohms
Anti-Static Protection	Yes, DC Grounded
Antenna Detection	10KΩ resistance
Power Rating (W)	3w (max)

ENVIRONMENTAL DATA

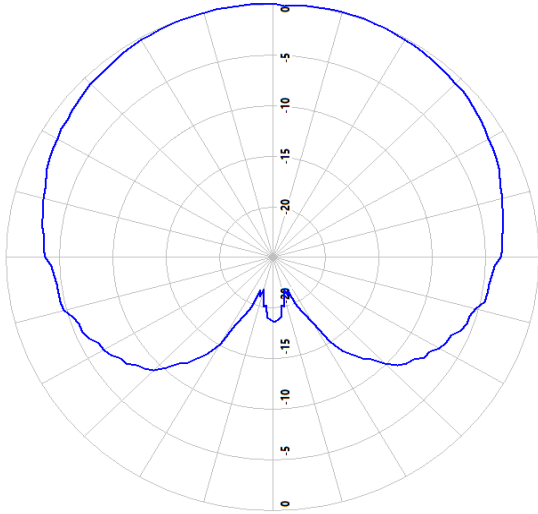
Operating Temperature (Celsius)	-30° to + 65°
Storage Temperature (Celsius)	
ROHS Compliant	Yes
Ingress Protection	IP68

MECHANICAL DATA

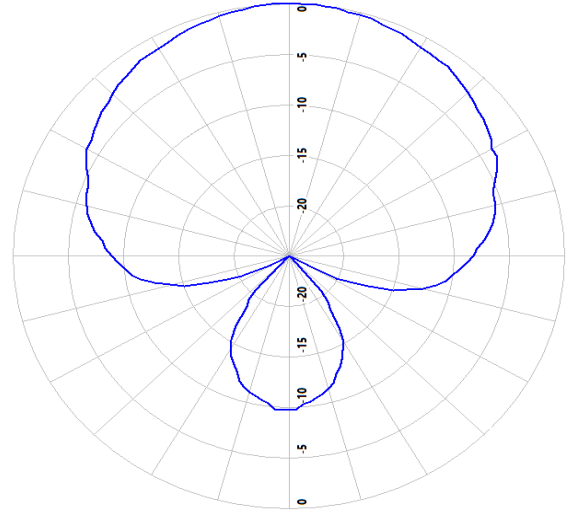
Color	White
Connector Type	SMA Female (side connector)
Mounting Type	100mm VESA pattern using mounting holes or flush mount (see HDMNT-100mm)
Dimensions (Length x Width x Height)	150 x 149.4 x 14.5 mm (5.93 x 5.88 x .57 inches)
Radome Material	Flame retardant & UV resistant ABS
Weight	.23kg/.51lb

RADIATION PATTERNS

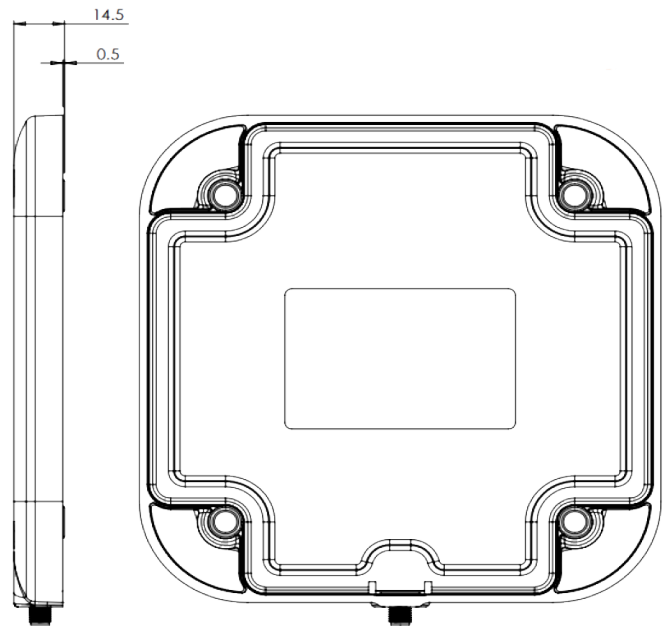
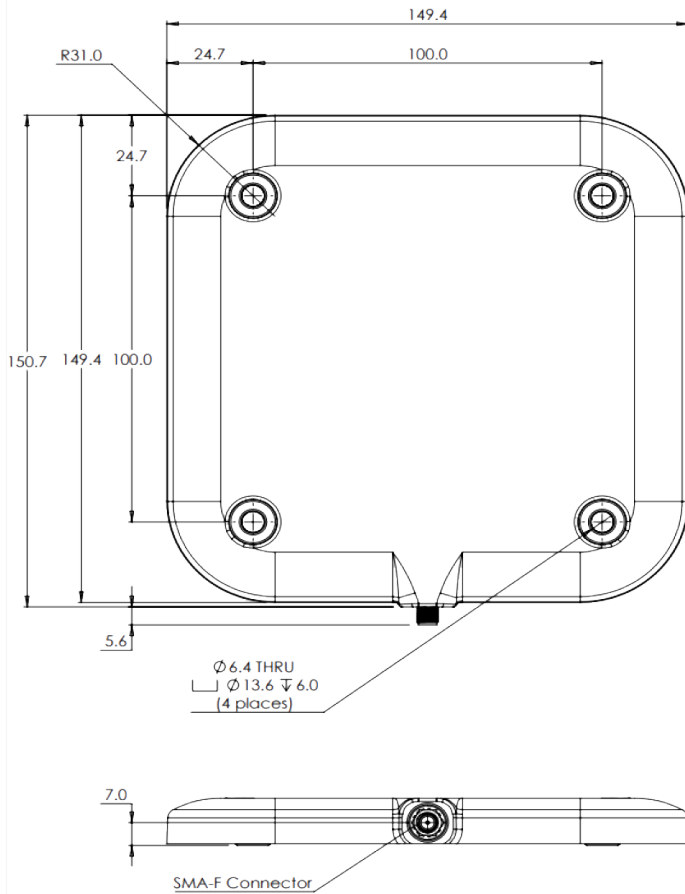
A5020CP XZ Plane



A5020CP YZ Plane



MECHANICAL DRAWING



MECHANICAL DRAWING FOR BACK PLATE

