

MC919Z

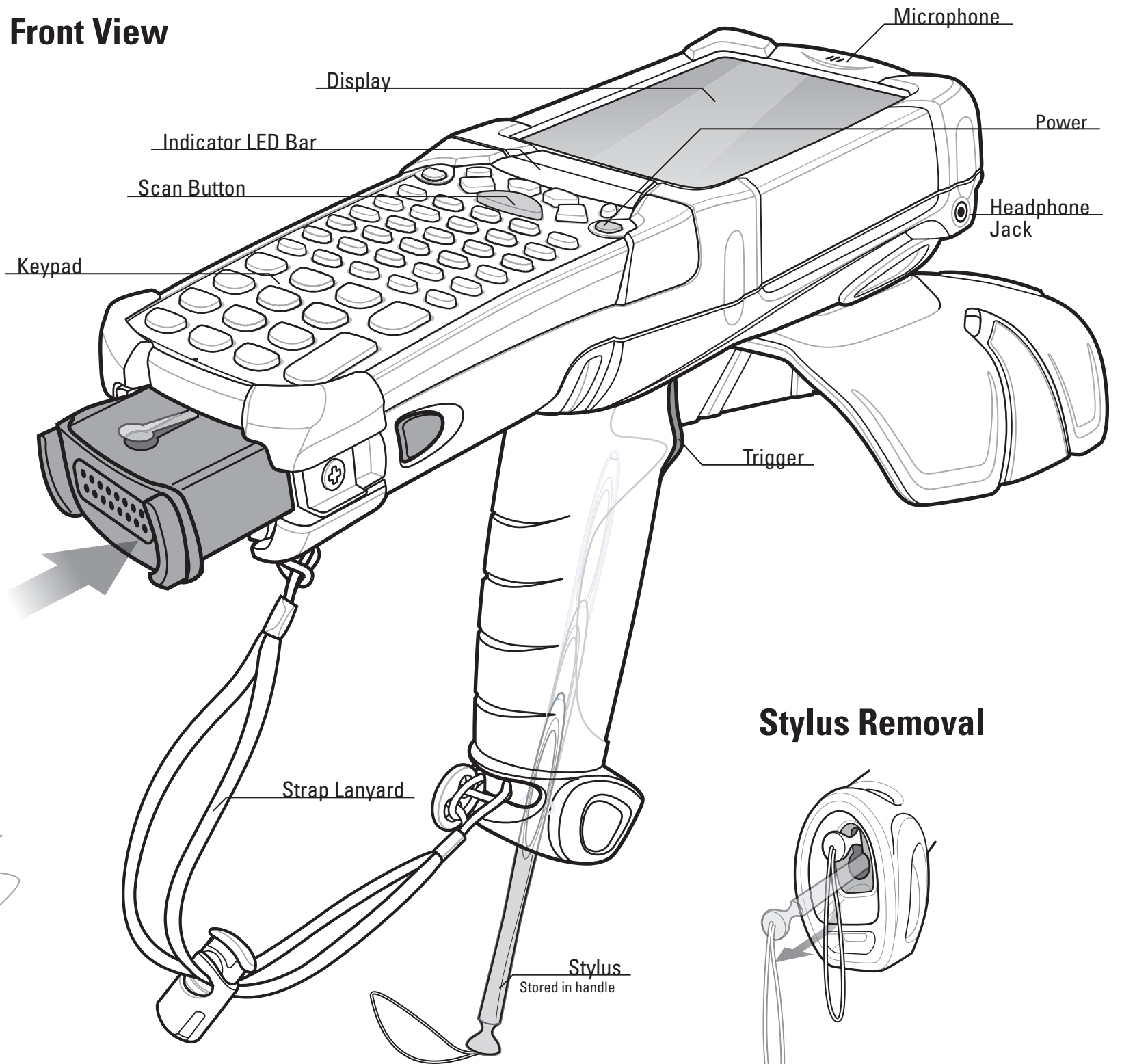
Quick Start Guide



BATTERY INSERTION

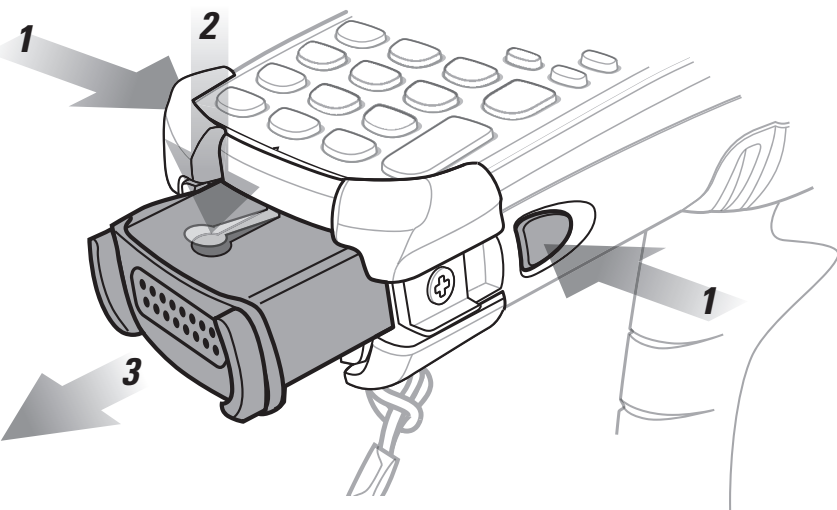
<http://www.motorola.com/mc919Z> See User Guide for more information

Front View

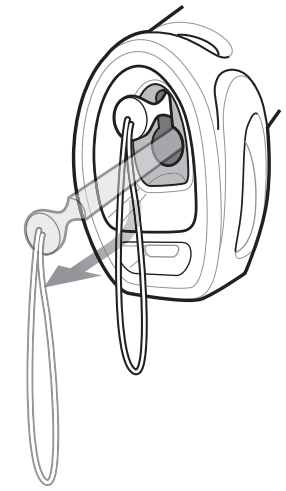


POST IN WORK AREA

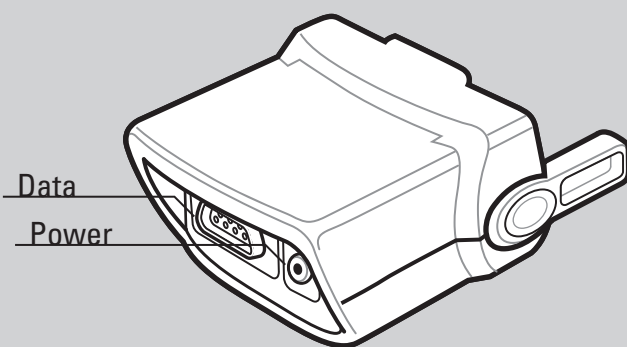
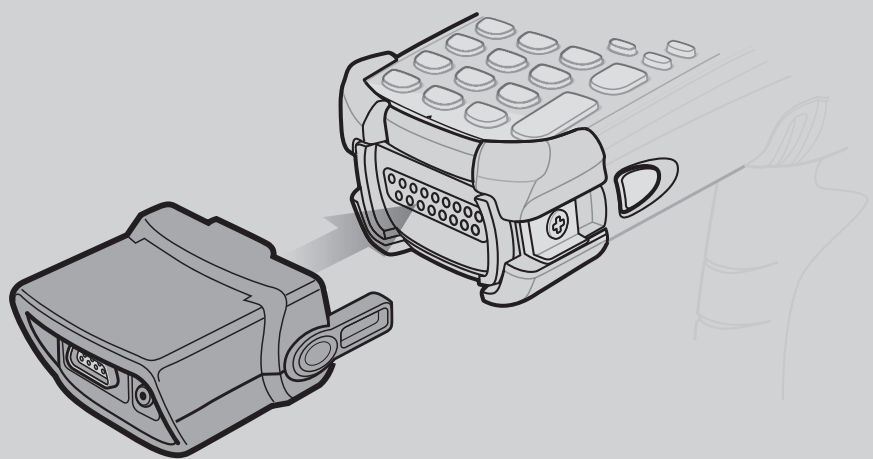
Battery Removal



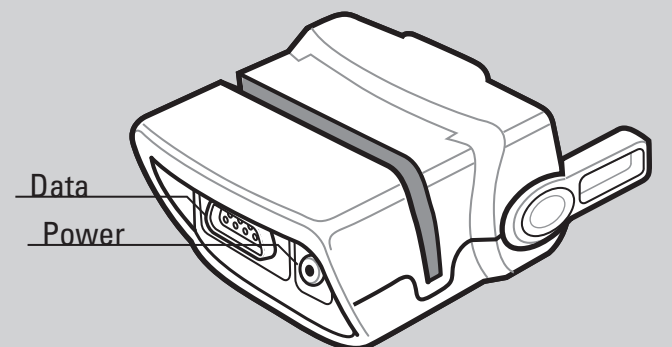
Stylus Removal



SNAP-ON ACCESSORY INSTALLATION



Cable Adapter Module

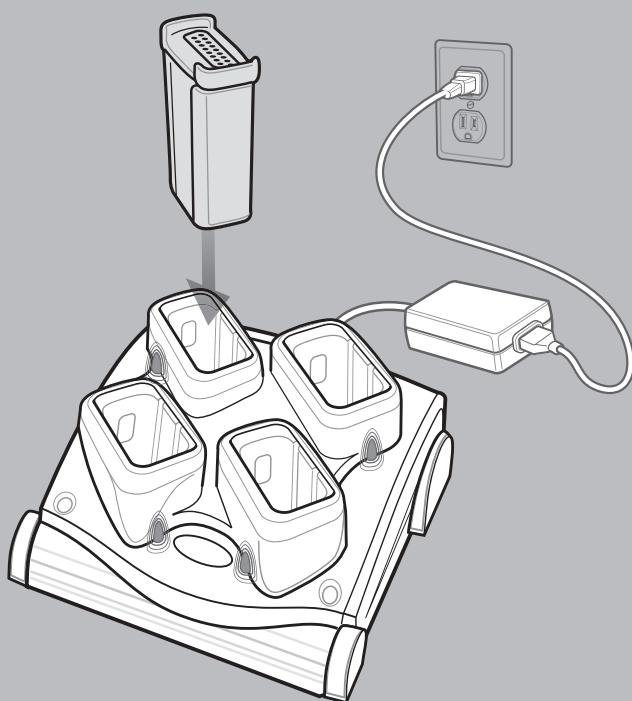


Data
Power

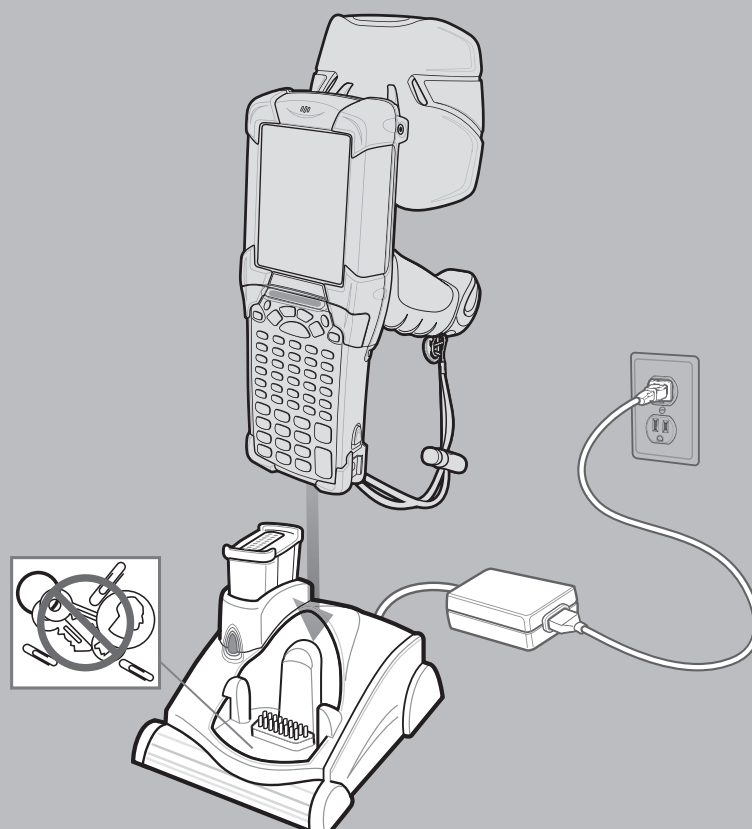
Magnetic Stripe Reader

CHARGING INSTRUCTIONS

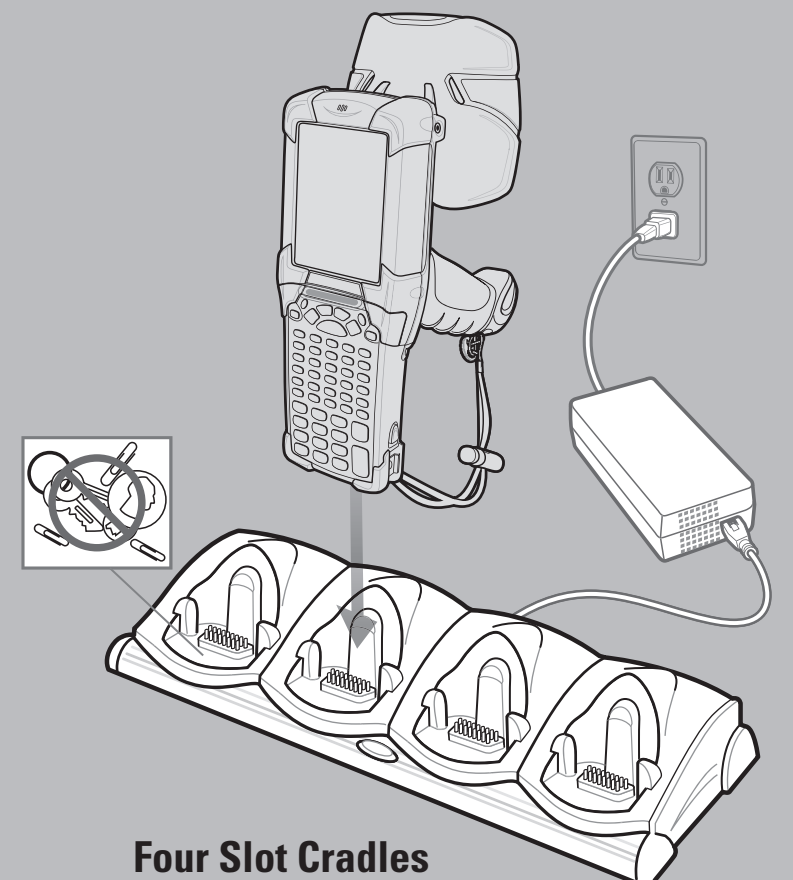
⦿ = LED Indicator Location Slow Flash = Normal Charge Solid Amber = Full Charge Fast Flash = Charging Error



Four Slot Spare Battery Charger



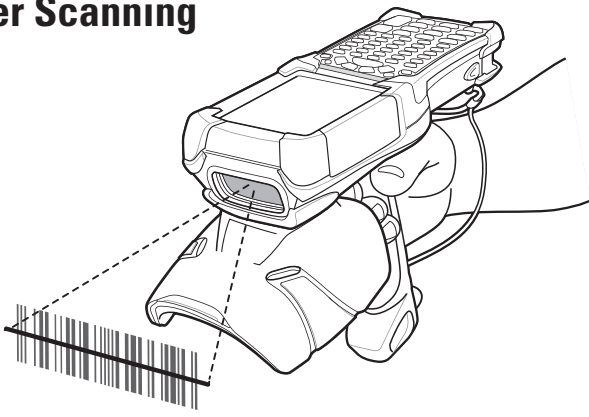
Single Slot Serial/USB Cradle



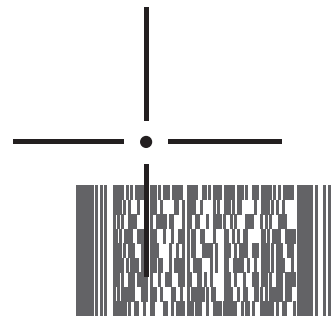
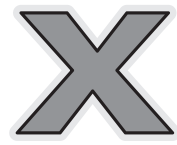
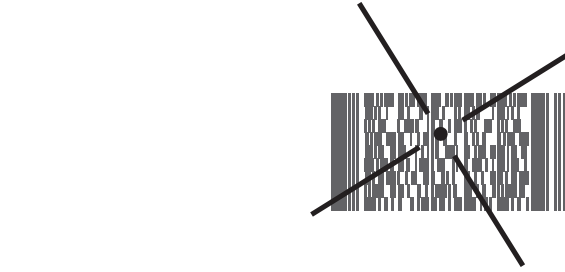
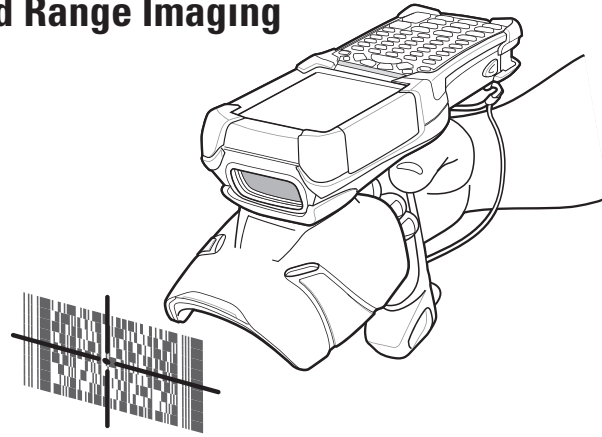
Four Slot Cradles
Charge-Only Cradle and Ethernet Cradle

OPTIMUM IMAGING AND SCANNING POSITIONS

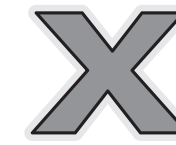
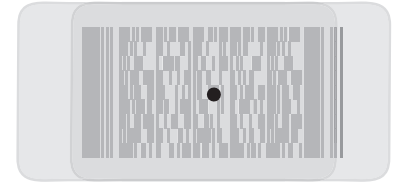
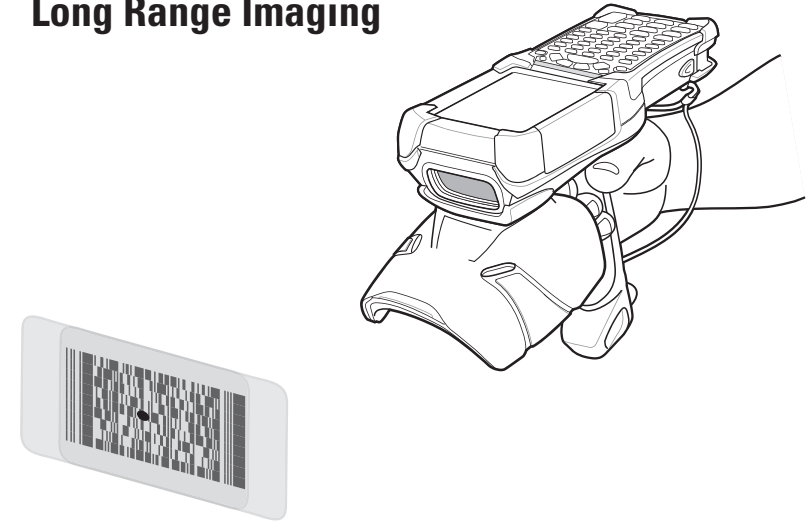
Laser Scanning



Standard Range Imaging



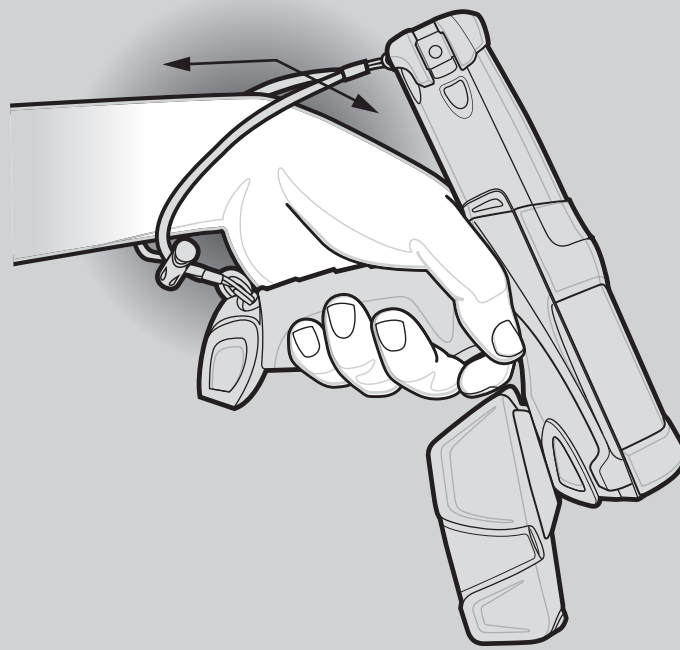
Long Range Imaging



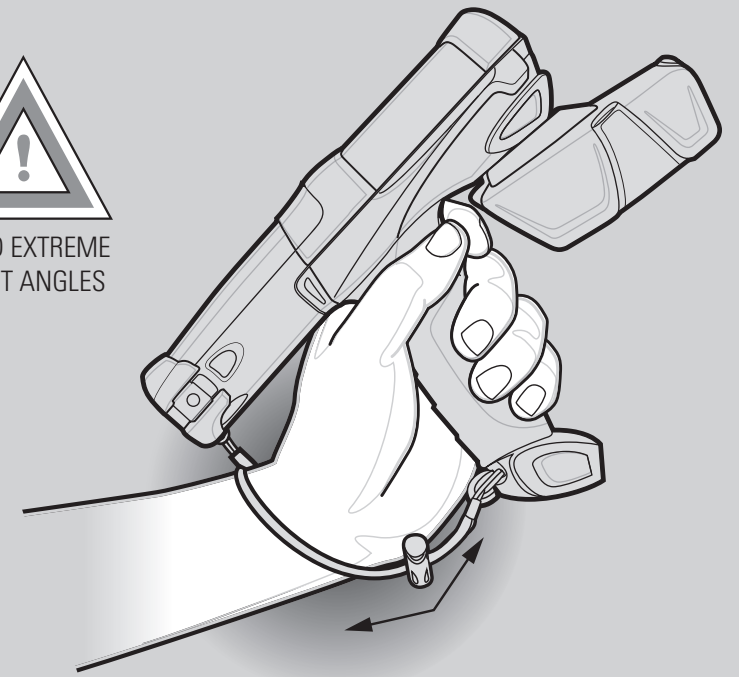
OPTIMUM UPRIGHT BODY POSTURE



AVOID EXTREME WRIST ANGLES



AVOID EXTREME WRIST ANGLES



ALTERNATE LEFT AND RIGHT HANDS
TAKING BREAKS AND TASK ROTATION RECOMMENDED

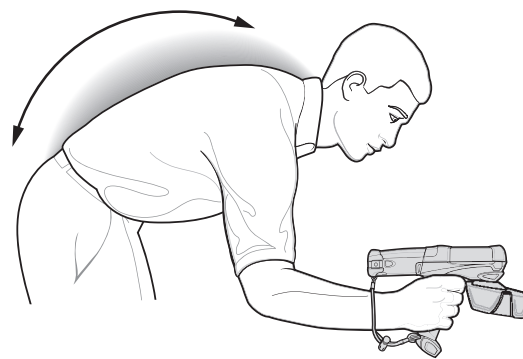
OPTIMUM BODY POSTURE

Low Scanning

Alternate left and right knees



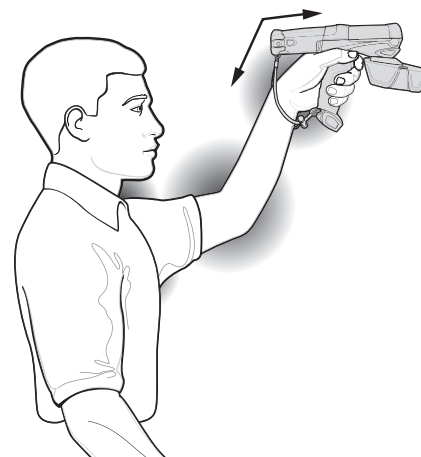
AVOID BENDING



Alternate left and right hands

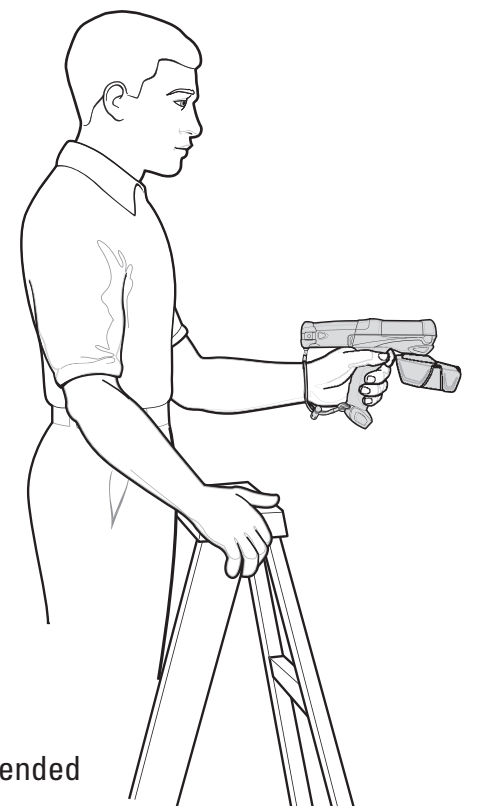


AVOID REACHING



High Scanning

Use a ladder



Taking breaks and task rotation recommended

POST IN WORK AREA



MOTOROLA

One Motorola Plaza, Holtsville, New York 11742-1300, USA
MOTOROLA, MOTO, MOTOROLA SOLUTIONS and the Stylized M Logo are trademarks or registered trademarks of Motorola Trademark Holding, LLC and are used under license. All other trademarks are the property of their respective owners. © 2011 Motorola, Inc. All rights reserved.



72-152191-01 Rev. A – February 2012



<http://www.motorola.com/mc919z>

MC919Z

Recommended Usage Guide